



# EnGenius Cloud Switch Series

Multi-Gigabit Performance, Enterprise Features & Cloud Management

**EnGenius Cloud Switch Series** provides enterprise-class features for simplifying network configuration and monitoring for mid-size to large businesses. With advanced management, EnGenius Switches enhance network performance to allow companies to focus on growing their business.

**Simple** – With easy-to-deploy design, EnGenius Managed Multi-Gigabit & Gigabit Switches are operational within minutes. Organizations with limited IT support and budgets can create a reliable, efficiently managed network in no time.

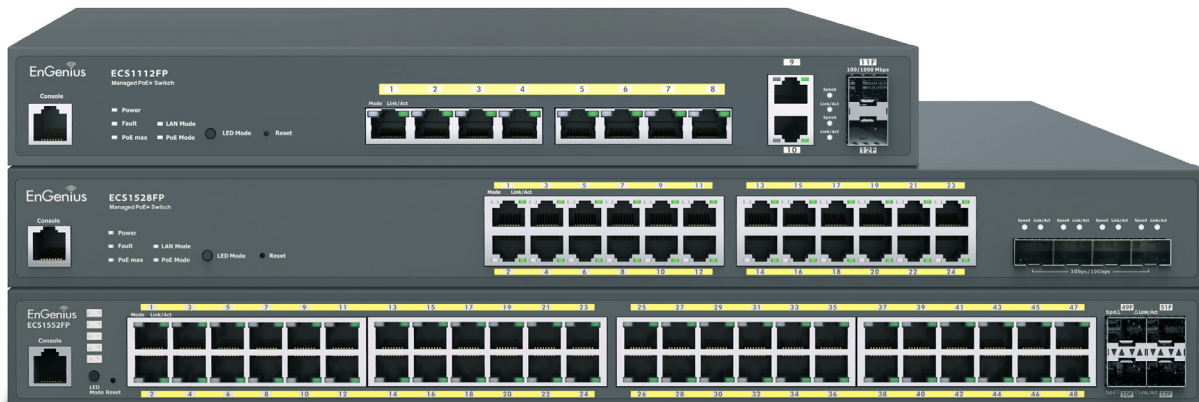
**Flexible** – Choose the port and physical configuration that meets your network and space requirements for optimal performance. Select the management method most effective for the network – locally manage, remotely and locally manage or Cloud manage.

**Reliable** – EnGenius Cloud’s reliable gigabit and multi-gigabit access for networked devices reduces delays that interrupt communications. EnGenius uses its decades of manufacturing and software development experience, long-lasting chipset vendor relationships, and tight manufacturing process to provide reliable hardware.

**Secure** – With EnGenius Cloud, your network devices are protected with two-factor authentication and non-sequential serial numbers and MAC address verification to ensure only authorized cloud devices are on the network.

## Features & Benefits

- Full-Featured Layer 2+ Switching
- 8-48 10/100/1000/2500/5000/10000 Base-T GbE Ports
- 802.3bt/at/af PoE++ Ready on All Ports with 55 - 740W PoE budgets
- 1-10 Gbps SFP+ Slots Extend Connectivity via Fiber Uplinks, Redundancy, and Failover
- Real-Time System Metrics, Deep-Dive Analytics, and Remote Configurations
- Quick-Scan Device Register, Remote Monitoring, and Troubleshooting
- Network Troubleshooting, Monitoring, and Email Alerts
- Advanced View Displays Network Topology with Devices and Relationships
- Hybrid Switch Supports Multiple Management Options



EnGenius now offers a 2 year factory warranty for all cloud products

# Benefits to Help Grow Your Business

## Increased Flexibility for Network Design

Select either 8-, 24-, or 48-Multi-Gigabit or Gigabit ports and Power-over-Ethernet (PoE++)-ready Layer 2+ switches with 1-10 Gbps SFP+ ports. Cloud Managed Switch model options also include desktop and rack mountable, fanless, and SmartFan designs.

## Enhanced Network Performance

EnGenius' full-featured Layer 2+ multi-gigabit and gigabit switches improve network speed and performance by controlling the available bandwidth speed for devices, such as access points, at the port level. By providing the available speed needed in areas where bandwidth needs vary, such as conference rooms and lobbies, EnGenius switches provides faster overall network performance.

## Optimized Network Devices

EnGenius switches allow businesses to optimize the installation and power management of network devices, such as Wi-Fi 6 wireless access points, AV controllers, PTZ Cameras, digital signage, and lighting. By providing 802.3bt/at/af PoE++ power and data on all ports, companies can regulate power budgets according to device requirements and remotely power cycle individual ports.

## High-Speed Gigabit with Fiber

The switch's 1 or 10 Gbps SFP+ slot options connect wired network segments throughout buildings extending beyond the limitations of Ethernet cabling. By reducing delays, businesses experience more consistent and uninterrupted communications.

## Keep Up with Today's Technologies

High-performing access points supporting faster speeds and hundreds of concurrent users, now support 1, 2.5, 3.5, and 5 Gbps Ethernet connections. Multi-Gig switches using the existing cabling can support up-to 1, 2.5, 5, and 10 Gbps per a port and automatically detect the speed needed by the connected end device. Utilize the higher PoE++ (802.3bt) standard on any port for the growing demand of high powered devices like Wi-Fi 6 wireless access points, AV controllers, PTZ Cameras, digital signage, and lighting.

## Increased Access Control and Security

Protect the network with 802.1X port-based client authentication with dynamic VLAN and security through a RADIUS server. Utilizing Access Control Lists (ACLs), administrators can see who has access to network segments while screening traffic from unauthorized MAC or IP addresses. By establishing a guest VLAN to grant and limit Internet resources for visitors, guests can use the network while also keeping the network secure.

## Improved VLAN/Voice and Quality of Service

Segment the network by departments or traffic types for increased performance and security with 802.1Q VLAN statically or dynamically. While 802.1p Class of Service prioritizes compliant VoIP and video traffic ensuring bandwidth intensive, time-sensitive data is forwarded immediately for clear, smooth voice and video delivery.

The screenshot displays a network management dashboard for 'Tork Metals / 8F'. The main section is titled 'Switches' and shows a list of devices. The first device, ECS1008P\_DAN0, is selected, and its 'Port view' is expanded. The port view shows a row of 8 ports, with port 4 highlighted in green, indicating it is active at 10 Gbps. The interface also shows the switch's status, including PoE usage, STP status, and uplink information.

Name	MAC	Model Name	WAN IP	LAN IP	Port(Active/Total)	FW Version	Uptime	Actions
ECS1008P_DAN0	00:02:6F:23:87:88	ECS1008P	36.225.5.68	10.0.84.136	1/8	v1.1.11-2.01.045	20m 32s	<a href="#">Details</a> <a href="#">Reboot</a>

Port	Status	PoE(Used/Total)	OW/55W
1	100/10 Mbps		
2	1 Gbps		
3	10 Gbps		
4	10 Gbps		
5	10 Gbps		
6	10 Gbps		
7	10 Gbps		
8	10 Gbps		

Id	Value
Id	1
Tagged	-
Untagged	1-8

ECS1128FP	00:02:6F:A2:74:F9	ECS1128FP	211.72.124.13	10.0.84.110	2/28	v0.1.6-2.00.031	7m 34s	<a href="#">Details</a> <a href="#">Reboot</a>
-----------	-------------------	-----------	---------------	-------------	------	-----------------	--------	--

## Provides In-Depth Network Visibility

The Network Topology View automatically maps the network deployment and displays device relationships across the infrastructure. No more manual tracking required — simply use Network Topology view to troubleshoot switches or access points directly from the cloud management interface. Grab high-level information by hovering over the device icon or click on details to take you right to the cloud device page.

## Every Cloud Device is Secure and Protected by Advanced Authentication

With EnGenius Cloud, your network devices are protected with two-factor authentication and non-sequential serial numbers and MAC address verification to ensure only authorized cloud devices are on the network. Once devices are authenticated, a secure tunnel is established between the device and the cloud management system with a unique certificate to encrypt transmissions.

## Cloud Improves Setup, Registry and Device Management of Multi-Gig & Gigabit Switches

For quick and simple setup manage your switches using EnGenius Cloud. Scan and assign switches into an organization and network for device registration and configuration using the EnGenius Cloud app. Simply refine configurations under the list view for switches in the switch's detail page after initial setup and registration.

EnGenius Cloud's dashboard provides a quick health check status of all your switches in an organization and network. Simply click on the switch picture from the dashboard to dive into detailed switch configurations and system information.

Conveniently & easily monitor and troubleshoot all of your network switches in one location. Quickly review switch list to compare resources and check overall configurations with other switches within the network. Further access individual switch information by clicking detail view to get real-time meters and configure system and port settings for easy setup and fine tuning of switches.

Set maintenance schedules across times zones to improve up-time, enable remote system log to track system modifications or configuration changes, establish event-based email alerts and receive push notifications via the EnGenius Cloud app.

The screenshot shows the EnGenius Cloud management interface for a switch named ECS1008P. The interface is divided into several sections:

- Header:** Shows the organization name "Tork Metals / 8F", the page title "Switches", and the user name "Joe Smith".
- Device Information:** A table listing key details for the ECS1008P switch:

Model Name	ECS1008P	IP Address	192.168.30.86	Voice VLAN	OFF
Firmware	v1.1.11-2.01.045	Subnet Mask	255.255.254.0	Jumbo Frame	OFF
Serial NO.	1930G8111D7W	Gateway	192.168.31.254	IGMP Snooping	OFF
MAC Address	88:DC:96:78:4E:D3	Topology	Show	STP	ON
				LLDP	ON
				QoS	ON
- Summary Tab:** The "Summary" tab is active, showing:
  - PORTS:** A row of 8 port status icons. Legend: 100/10 Mbps (orange), 1 Gbps (green), 10 Gbps (light green), Disconnected (grey), Disabled (dark grey), PoE (lightning bolt), Uplink (up arrow). Ports 2, 3, and 8 are active with PoE and Uplink.
  - TOTAL POE USAGE:** A bar chart showing 12% (7.1W) usage out of a 55W total budget.
  - TOTAL POE UTILIZATION BY PORT:** A bar chart showing utilization for Port 02 (approx. 15W) and Port 03 (approx. 15W) out of a 29W total.
- Realtime Meters:** A sidebar on the right showing "CPU" at 4% and "Memory" at 84%.

## Simplified Switch Management, Visibility, and Troubleshooting

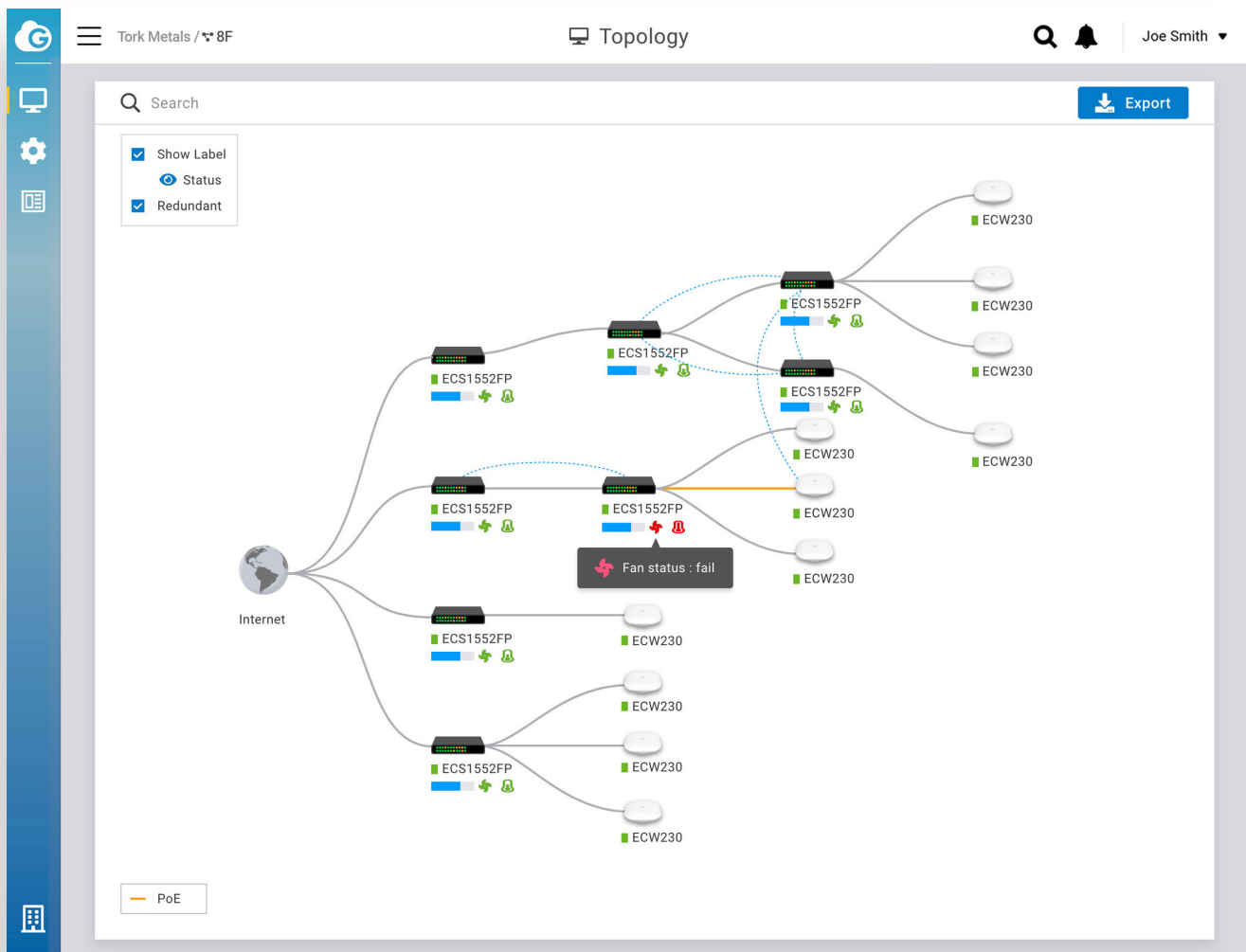
By using multiple methods to manage switches, EnGenius decreases administration time through remote management, visibility, and troubleshooting. Select the most effective management approach based on network architecture, administrative permissions, technical aptitude, or even budget.

**Locally Manage** – manage each EnGenius switch in a standalone setup from its intuitive user interface that provides full access into all the Layer 2+ switching features.

**Remote and Local Management** – manage up to **100** EnGenius switches with the plug-and-play SkyKey device, which provides on-premises and subscription-free cloud network management capabilities.

**Remote & Local Management** – manage **1,000s** of EnGenius switches with ezMaster network software, an on-premises solution utilizing a Virtual Machine server or a private-cloud AWS account that easily configures and maintains multiple customer sites and thousands of devices via ezMaster network management software, all with no license or subscription fees.

**Cloud Management** – remotely or locally manage an unlimited number of EnGenius switches with EnGenius Cloud, a true license-free cloud management solution that provides quick deployment from anywhere, deep-dive analytics to review system performance, and custom device alerts through a simple to use smart phone app.



## EnGenius Cloud Managed 8-Port Multi-Gig Switches



Models	ECS5512FP	ECS5512	ECS2512FP	ECS2512
Network Standards	802.3 10Base-T Ethernet 802.3u 100Base-TX Ethernet 802.3ab 1000Base-T Ethernet 802.3bz 2500/5000Base-T Ethernet 802.3an 10000Base-T Ethernet 802.3x Full-Duplex Flow Control	802.3 10Base-T Ethernet 802.3u 100Base-TX Ethernet 802.3ab 1000Base-T Ethernet 802.3bz 2500/5000Base-T Ethernet 802.3an 10000Base-T Ethernet 802.3x Full-Duplex Flow Control	802.3 10Base-T Ethernet 802.3u 100Base-TX Ethernet 802.3ab 1000Base-T Ethernet 802.3bz 2500/5000Base-T Ethernet 802.3an 10000Base-T Ethernet 802.3x Full-Duplex Flow Control	802.3 10Base-T Ethernet 802.3u 100Base-TX Ethernet 802.3ab 1000Base-T Ethernet 802.3bz 2500/5000Base-T Ethernet 802.3an 10000Base-T Ethernet 802.3x Full-Duplex Flow Control
10/100/1000 Base-T	N/A	N/A	N/A	N/A
10/100/1000/2500 Base-T	N/A	N/A	8 PoE ++	8
10/100/1000/2500/5000/10000 Base-T	8 PoE ++	8	N/A	N/A
10/100/1000 SFP Ports	N/A	N/A	N/A	N/A
10/100/1000/10000 SFP+ Ports	4 x 10G	4 x 10G	4 x 10G	4 x 10G
Rackmount	13" 1U	13" 1U	13" 1U	13" 1U
Total PoE Budget	420W	N/A	240W	N/A
PoE+ Capable Ports	1-8 PoE++	N/A	1-8 PoE++	N/A
Switching Capacity	240 Gbps	240 Gbps	120 Gbps	120 Gbps
Forwarding Mode	Store-and-forward	Store-and-forward	Store-and-forward	Store-and-forward
MAC Address Table	32K	32K	16K	16K
Packet Buffer Memory	2 MB	2 MB	512 KB	512 KB
Power Source	100 to 240 VAC 50/60Hz	100 to 240 VAC 50/60Hz	100 to 240 VAC 50/60Hz	100 to 240 VAC 50/60Hz
Full Load Power Consumption	745.61 Watts	745.61 Watts	440.78 Watts	440.78 Watts
VLANs	VID from 1-4094 (Max. 256 groups)	VID from 1-4094 (Max. 256 groups)	VID from 1-4094 (Max. 256 groups)	VID from 1-4094 (Max. 256 groups)

## EnGenius Cloud-Managed 48-Port and 24-Port Switches



Models	ECS1552FP	ECS1552	ECS1528FP	ECS1528
Network Standards	802.3 10Base-T Ethernet 802.3u 100Base-TX Ethernet 802.3ab 1000Base-T Ethernet 802.3bz 2500/5000Base-T Ethernet 802.3an 10000Base-T Ethernet 802.3x Full-Duplex Flow Control	802.3 10Base-T Ethernet 802.3u 100Base-TX Ethernet 802.3ab 1000Base-T Ethernet 802.3bz 2500/5000Base-T Ethernet 802.3an 10000Base-T Ethernet 802.3x Full-Duplex Flow Control	802.3 10Base-T Ethernet 802.3u 100Base-TX Ethernet 802.3ab 1000Base-T Ethernet 802.3bz 2500/5000Base-T Ethernet 802.3an 10000Base-T Ethernet 802.3x Full-Duplex Flow Control	802.3 10Base-T Ethernet 802.3u 100Base-TX Ethernet 802.3ab 1000Base-T Ethernet 802.3bz 2500/5000Base-T Ethernet 802.3an 10000Base-T Ethernet 802.3x Full-Duplex Flow Control
10/100/1000 Base-T	48 PoE +	48	24 PoE +	24
10/100/1000/2500 Base-T	N/A	N/A	N/A	N/A
10/100/1000/2500/5000/10000 Base-T	N/A	N/A	N/A	N/A
10/100/1000 SFP Ports	N/A	N/A	N/A	N/A
10/100/1000/10000 SFP+ Ports	4 x 10G	4 x 10G	4 x 10G	4 x 10G
Rackmount	19" 1U	19" 1U	19" 1U	19" 1U
Total PoE Budget	740W	N/A	410W	N/A
PoE+ Capable Ports	1-48 PoE+	N/A	1-24 PoE+	N/A
Switching Capacity	176 Gbps	176 Gbps	128 Gbps	128 Gbps
Forwarding Mode	Store-and-forward	Store-and-forward	Store-and-forward	Store-and-forward
MAC Address Table	32k	32k	16k	16k
Packet Buffer Memory	2 MB	2 MB	2 MB	2 MB
Power Source	100 to 240 VAC 50/60Hz	100 to 240 VAC 50/60Hz	100 to 240 VAC 50/60Hz	100 to 240 VAC 50/60Hz
Full Load Power Consumption	745.61 Watts	745.61 Watts	412.26 Watts	412.26 Watts
VLANs	VID from 1-4094 (Max. 256 groups)	VID from 1-4094 (Max. 256 groups)	VID from 1-4094 (Max. 256 groups)	VID from 1-4094 (Max. 256 groups)

## EnGenius Cloud-Managed 8-Port Switches



Models	ECS1112FP	ECS1008P
Network Standards	802.3 10Base-T Ethernet 802.3u 100Base-TX Ethernet 802.3ab 1000Base-T Ethernet 802.3bz 2500/5000Base-T Ethernet 802.3an 10000Base-T Ethernet 802.3x Full-Duplex Flow Control	802.3 10Base-T Ethernet 802.3u 100Base-TX Ethernet 802.3ab 1000Base-T Ethernet 802.3bz 2500/5000Base-T Ethernet 802.3an 10000Base-T Ethernet 802.3x Full-Duplex Flow Control
10/100/1000 Base-T PoE Ports	10	8
10/100/1000/2500 Base-T	N/A	N/A
10/100/1000/2500/5000/10000 Base-T	N/A	N/A
10/100/1000 SFP Ports	2 X 1G	N/A
10/100/1000/10000 SFP+ Ports	N/A	N/A
Rackmount	13" 1U	N/A
Total PoE Budget	130W	N/A
PoE+ Capable Ports	1-8 PoE+	1-8 PoE
Switching Capacity	24 Gbps	16 Gbps
Forwarding Mode	Store-and-forward	Store-and-forward
MAC Address Table	8k	8k
Packet Buffer Memory	512 KB	512 KB
Power Source	100 to 240 VAC 50/60Hz	100 to 240 VAC 50/60Hz
Full Load Power Consumption	228.10 Watts	63.18 Watts
VLANs	VID from 1-4094 (Max. 256 groups)	VID from 1-4094 (Max. 256 groups)

# Technical Specifications

## Port Standards

### ECS1008P/ECS1112FP/ECW1528/ECS1528FP/ ECS1552/ECS1552FP

- 802.3 10Base-T Ethernet
- 802.3u 100Base-TX Ethernet
- 802.3ab 1000Base-T Ethernet
- 802.3x Full-Duplex Flow Control

### ECS2512/ECS2512FP

- 802.3 10Base-T Ethernet
- 802.3u 100Base-TX Ethernet
- 802.3ab 1000Base-T Ethernet
- 802.3bz 2500/5000Base-T Ethernet
- 802.3x Full-Duplex Flow Control

### ECS5512/ECS5512FP

- 802.3 10Base-T Ethernet
- 802.3u 100Base-TX Ethernet
- 802.3ab 1000Base-T Ethernet
- 802.3bz 2500/5000Base-T Ethernet
- 802.3an 10000Base-T Ethernet
- 802.3x Full-Duplex Flow Control

## Network Ports

### ECS1008P

8 10/100/1000 Mbps Ports

### ECS1112FP

10 10/100/1000 Mbps Ports + 2x SFP Ports

### ECW1528/ECS1528FP

24 10/100/1000 Mbps Ports + 4x SFP+ Ports

### ECS1552/ECS1552FP

48 10/100/1000 Mbps Ports + 4x SFP+ Ports

### ECS2512/ECS2512FP

8 10/100/1000/2500 Mbps Ports + 4x SFP+ Ports

### ECS5512/ECS5512FP

8 10/100/1000/2500/5000/10000 Mbps Ports + 4x SFP+ Ports

## Switching Capacity

### ECS1008P

16Gbps

### ECS1112FP

24Gbps

### ECW1528/ECS1528FP

128Gbps

### ECS1552/ECS1552FP

176Gbps

### ECS2512/ECS2512FP

120Gbps

### ECS5512/ECS5512FP

240Gbps

## SDRAM

### ECS1008P/ECS1112FP

256MB

### ECW1528/ECS1528FP/ECS1552/ECS1552FP/ ECS2512/ECS2512FP/ECS5512/ECS5512FP

512MB

## Flash Memory

### ECS1008P/ECS1112FP

32MB

### ECW1528/ECS1528FP/ECS1552/ECS1552FP/ ECS2512/ECS2512FP/ECS5512/ECS5512FP

128MB

## PoE Capable Ports

### ECS1008P

1-8 (802.3af only)

### ECS1112FP

1-8 (802.3at/af)

### ECS1528FP

1-24 (802.3at/af)

### ECS1552FP

1-48 (802.3at/af)

### ECS2512FP/ECS5512FP

1-8 (802.3bt/at/af)

## Total PoE Budget

### ECS1008P

55W

### ECS1112FP

130W

### ECS1528FP

410W

### ECS1552FP

740W

### ECS2512FP

240W

### ECS5512FP

420W

## Power Source

### ECS1008P/ECS1112FP/ECW1528/ECS1528FP/ ECS1552/ECS1552FP/ ECS2512/ECS2512FP/ ECS5512/ECS5512FP/

100 ~ 240VAC, 50-60Hz

## Physical Interface

### LED Indicators

### ECS1008P/ECS1112FP/ECW1528/ECS1528FP/ ECS1552/ECS1552FP/ECS2512/ECS2512FP/ ECS5512/ECS5512FP

Power LED

Fault LED

PoE Max LED

LAN Mode LED

PoE Mode LED

## Ports

### ECS1008P/ECS1112FP/ECW1528/ECS1528FP/ ECS1552/ECS1552FP/ECS2512/ECS2512FP/ ECS5512/ECS5512FP

Link/Activity/Speed (per Ethernet port)

Link/Activity/Speed (per SFP slot)

## Software Features(L3 Feature)

### Multiple IP Interface

### ECS1008P/ECS1112FP/ECW1528/ECS1528FP/ ECS1552/ECS1552FP/ECS2512/ECS2512FP/ ECS5512/ECS5512FP

20 IPv6 address

### ARP Table

### ECS1008P/ECS1112FP/ECW1528/ECS1528FP/ ECS1552/ECS1552FP/ECS2512/ECS2512FP/ ECS5512/ECS5512FP

Max. 192 ARP entries

### Static ARP

### ECS1008P/ECS1112FP/ECW1528/ECS1528FP/ ECS1552/ECS1552FP/ECS2512/ECS2512FP/ ECS5512/ECS5512FP

Static 192 ARP entries

### IPv4 Static Route

### ECS1008P/ECS1112FP/ECW1528/ECS1528FP/ ECS1552/ECS1552FP/ECS2512/ECS2512FP/ ECS5512/ECS5512FP

Max. 63 entries

### IPv6 Static Route

### ECS1008P/ECS1112FP/ECW1528/ECS1528FP/ ECS1552/ECS1552FP/ECS2512/ECS2512FP/ ECS5512/ECS5512FP

Max. 21 entries

## Software Features(L2 Feature)

### Network Management

### ECS1008P/ECS1112FP/ECW1528/ECS1528FP/ ECS1552/ECS1552FP/ECS2512/ECS2512FP/ ECS5512/ECS5512FP

EnGenius Cloud

ezMaster

Local Web GUI

### MAC Address Table

### ECS1008P/ECS1112FP

8K

### ECS1528/ECS1528FP/ECS2512/ECS2512FP

16K

### ECS1552/ECS1552FP/ECS5512/ECS5512FP

32K

### Jumbo Frame

### ECS1008P/ECS1112FP/ECW1528/ECS1528FP/ ECS1552/ECS1552FP/ECS2512/ECS2512FP/ ECS5512/ECS5512FP

10K

### Multicast Group



## Technical Specifications continued

ECS1008P/ECS1112FP/ECW1528/ECS1528FP/  
ECS1552/ECS1552FP/ECS2512/ECS2512FP/  
ECS5512/ECS5512FP

Max 256 groups

### MLD Snooping

ECS1008P/ECS1112FP/ECW1528/ECS1528FP/  
ECS1552/ECS1552FP/ECS2512/ECS2512FP/  
ECS5512/ECS5512FP

MLD Snooping: v1

### QoS-Number of Priority Queues Supported

ECS1008P/ECS1112FP/ECW1528/ECS1528FP/  
ECS1552/ECS1552FP/ECS2512/ECS2512FP/  
ECS5512/ECS5512FP

Queue 8

### Trust Mode

ECS1008P/ECS1112FP/ECW1528/ECS1528FP/  
ECS1552/ECS1552FP/ECS2512/ECS2512FP/  
ECS5512/ECS5512FP

Cos/802.1p

DSCP

CoS/802.1p-DSCP

### Scheduling Mechanism

ECS1008P/ECS1112FP/ECW1528/ECS1528FP/  
ECS1552/ECS1552FP/ECS2512/ECS2512FP/  
ECS5512/ECS5512FP

Strict / WRR/ Strict + WRR

### Bandwidth Control

ECS1008P/ECS1112FP/ECW1528/ECS1528FP/  
ECS1552/ECS1552FP/ECS2512/ECS2512FP/  
ECS5512/ECS5512FP

Port-based bandwidth control (Ingress/Egress)

### Port Security

ECS1008P/ECS1112FP/ECW1528/ECS1528FP/  
ECS1552/ECS1552FP/ECS2512/ECS2512FP/  
ECS5512/ECS5512FP

Max. 256 Entries

### Access Control List (ACL)

ECS1008P/ECS1112FP/ECW1528/ECS1528FP/  
ECS1552/ECS1552FP/ECS2512/ECS2512FP/  
ECS5512/ECS5512FP

MAC Based ACL

IPv4/IPv6 Based ACL

ACL Binding

Time base ACL

### Web Graphical User Interface(GUI)

ECS1008P/ECS1112FP/ECW1528/ECS1528FP/  
ECS1552/ECS1552FP/ECS2512/ECS2512FP/  
ECS5512/ECS5512FP

HTTP IPv4 / IPv6

HTTPS IPv4 / IPv6

### SSL Certificate

ECS1008P/ECS1112FP/ECW1528/ECS1528FP/  
ECS1552/ECS1552FP/ECS2512/ECS2512FP/  
ECS5512/ECS5512FP

Certificate/Key Import

### SNMP

ECS1008P/ECS1112FP/ECW1528/ECS1528FP/  
ECS1552/ECS1552FP/ECS2512/ECS2512FP/  
ECS5512/ECS5512FP

SNMP v1/v2c/v3 Support

### RMON

ECS1008P/ECS1112FP/ECW1528/ECS1528FP/  
ECS1552/ECS1552FP/ECS2512/ECS2512FP/  
ECS5512/ECS5512FP

RMON 1,2,3,9

### System Time

ECS1008P/ECS1112FP/ECW1528/ECS1528FP/  
ECS1552/ECS1552FP/ECS2512/ECS2512FP/  
ECS5512/ECS5512FP

Time Setting/Daylight saving

### Common L2 Features

ECS1008P/ECS1112FP/ECW1528/ECS1528FP/  
ECS1552/ECS1552FP/ECS2512/ECS2512FP/  
ECS5512/ECS5512FP

802.1d Spanning tree

Loopback Detection

Multicast Filtering

IGMP Multicast Forwarding

IGMP Snooping

MLD Multicast Forwarding

802.1Q VLAN tagging

802.3x flow control

802.3ad Link Aggregation

IPv4 DHCP Relay

IPv4 DHCP Snooping

IPv4 DHCP Snooping Source MAC Address Check-up

ARP Inspection

ARP Packet Validation (additional validation checks)

Voice VLAN

Port-based VLAN

Protocol-Based VLAN

CoS Mapping

802.1X Radius Authentication Protocol

IPv4 Settings

IPv6 Settings

IEEE 802.3az Energy Efficient Ethernet (EEE)

Command Line Interface (CLI)

SSH Server

Telnet Server

TFTP Client

Configuration Upgrade/ Backup

Simple Network Time Protocol (SNTP)

SYSLOG

802.1d Spanning tree

## Environmental & Physical

### Temperature Range

ECS1008P

Operating: 32°F to 104°F (0°C to 40°C)

ECS1112FP/ECW1528/ECS1528FP/ ECS1552/  
ECS1552FP/ECS2512/ECS2512FP/ECS5512/  
ECS5512FP

Operating: 32°F to 122°F (0°C to 50°C)

### Humidity (Non-Condensing)

ECS1008P/ECS1112FP/ECW1528/ECS1528FP/  
ECS1552/ECS1552FP/ECS2512/ECS2512FP/  
ECS5512/ECS5512FP

Operating: 5% - 95%

### Package Contents

ECS1008P

1x ECS Managed Gigabit Switch

1x Quick Installation Guide

1x Power Adapter

1x Power Cord

1x Wall Mount Kit

1x Ground Screw Set

ECS1112FP/ECW1528/ECS1528FP/ECS1552/  
ECS1552FP

1x ECS Managed Gigabit Switch

1x Quick Installation Guide

1x Power Cord

1x RJ45 Console Cable

1x Rack Mount Kit

ECS2512FP/ECS2512

1x ECS Managed Multi-Gigabit Switch

1x Quick Installation Guide

1x Power Cord

1x RJ45 Console Cable

1x Rack Mount Kit

ECS5512FP/ECS5512

1x ECS Managed 10-Gigabit Switch

1x Quick Installation Guide

1x Power Cord

1x RJ45 Console Cable

1x Rack Mount Kit

### Device Dimensions & Weights

ECS1008P

Weight: 1.36 lbs. (620 g)

Length: 9.44" (240 mm)

Width: 4.13" (105 mm)

Height: 1.06" (27 mm)

ECS1112FP

Weight: 4.4 lbs. (1.9 kg)

Width: 13" (330.20 mm)

Length: 9" (228.60 mm)

Height: 1.73" (43.94 mm)

**ECS1528**

Weight: 5.93 lbs. (2.69 kg)

Width: 17.32" (440 mm)

Depth: 7.87" (200 mm)

Height: 1.73" (44 mm)

**ECS1528FP**

Weight: 8.5 lbs. (3.9 kg)

Width: 17.32" (440 mm)

Depth: 10.23" (260 mm)

Height: 1.73" (44 mm)

**ECS1552**

Weight: 8.17 lbs. (3.71 kg)

Width: 17.32 lbs. (440 mm)

Length: 10.23 lbs. (260 mm)

Height: 1.73 lbs. (44 mm)

**ECS1552FP**

Weight: 10.5 lbs. (4.76 kg)

Width: 17.32" (440 mm)

Length: 10.23" (260 mm)

Height: 1.73" (44 mm)

**ECS2512**

Weight: 5.7lbs (2.6 kg)

Width: 9.05" (230 mm)

Length: 12.99" (330 mm)

Height: 1.73" (44 mm)

**ECS2512FP**

Weight: 5.7lbs (2.6 kg)

Width: 9.05" (230 mm)

Length: 12.99" (330 mm)

Height: 1.73" (44 mm)

**ECS5512**

Weight: 4.54lbs (2.06 kg)

Width: 9.05" (230 mm)

Length: 12.99" (330 mm)

Height: 1.73" (44 mm)

**ECS5512FP**

Weight: 5.75lbs (2.61 kg)

Width: 9.05" (230 mm)

Length: 12.99" (330 mm)

Height: 1.73" (44 mm)

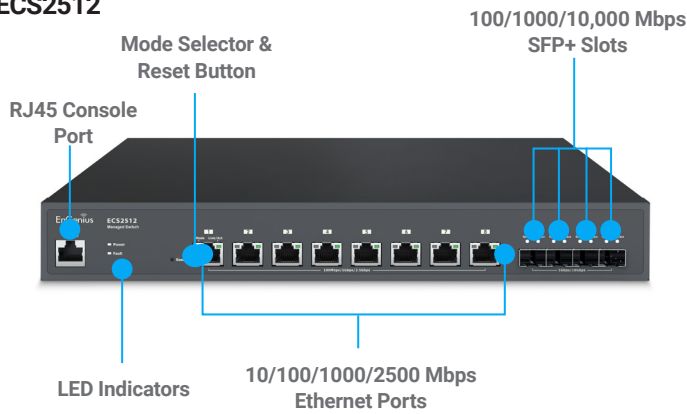
**Warranty**

**ECS1008P/ECS1112FP/ECW1528/ECS1528FP/  
ECS1552/ECS1552FP/ECS2512/ECS2512FP/  
ECS5512/ECS5512FP**

2 year

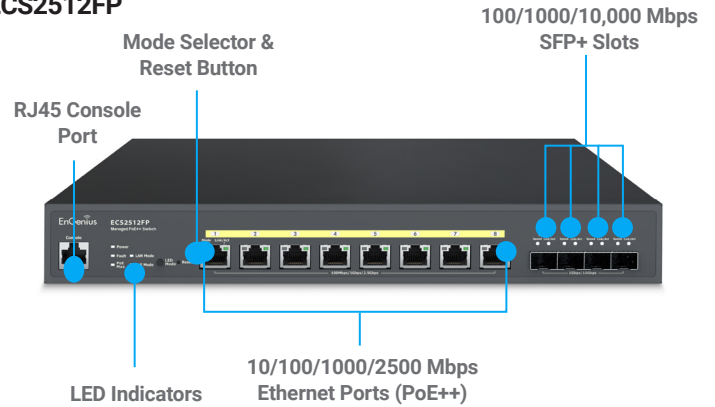
**Desktop**

**ECS2512**

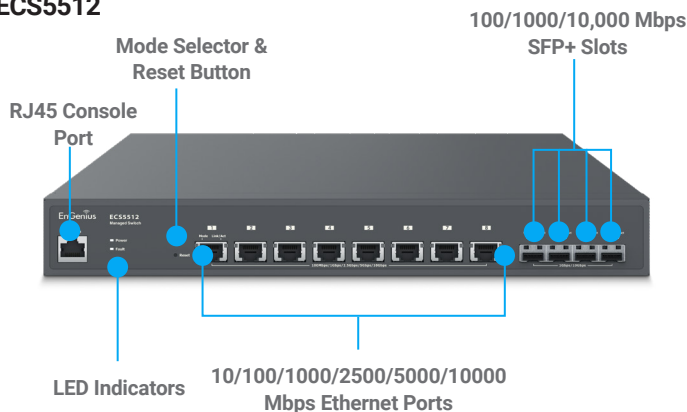


**Rackmount**

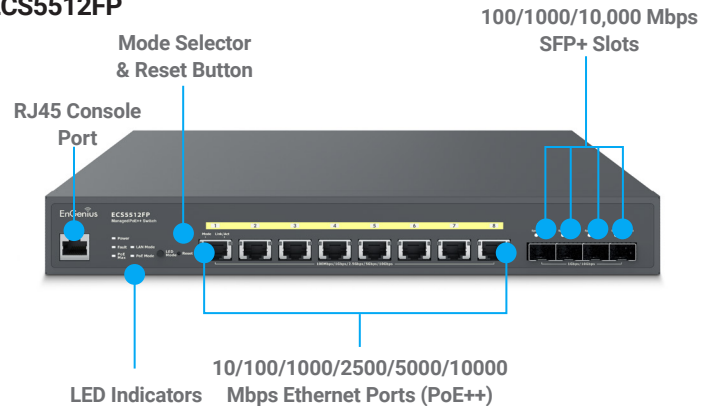
**ECS2512FP**



**ECS5512**

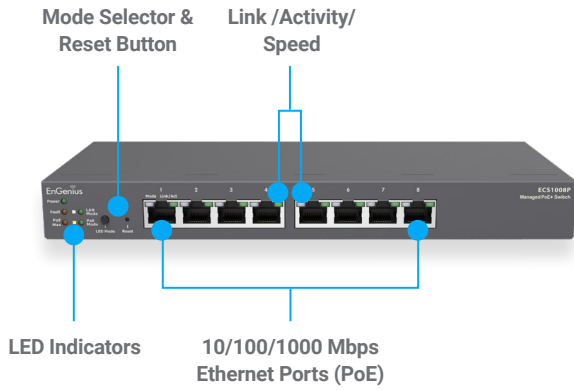


**ECS5512FP**



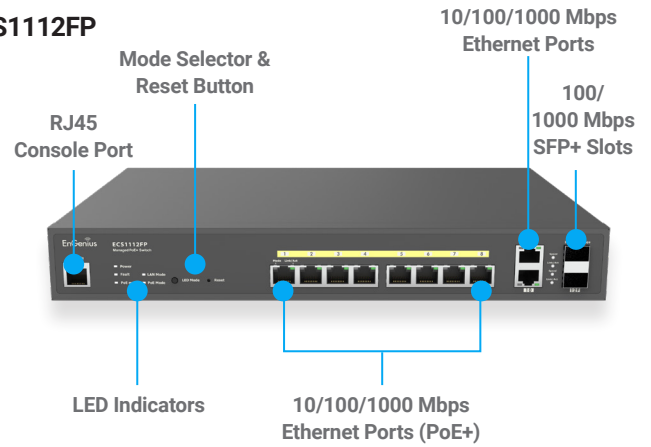
## Desktop

### ECS1008P

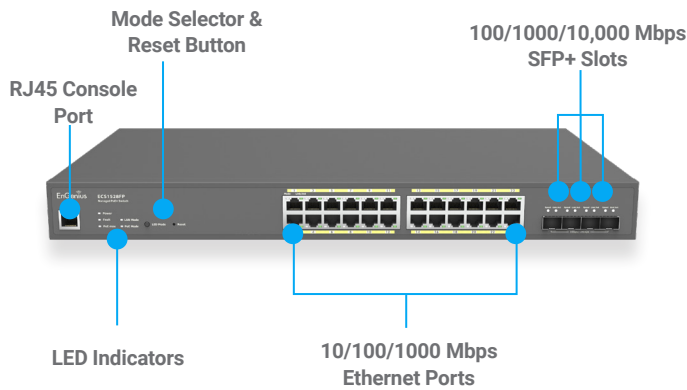


## Rackmount

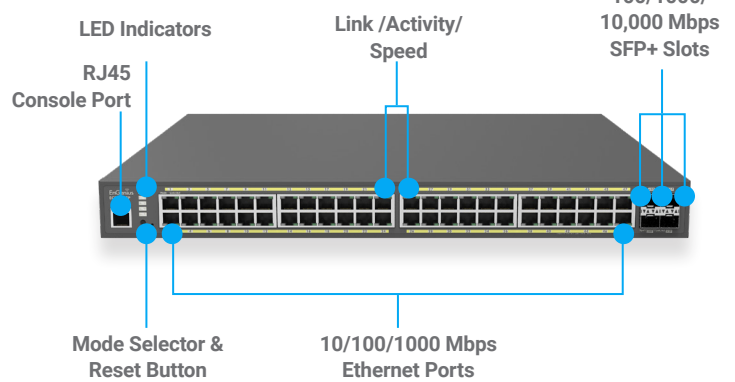
### ECS1112FP



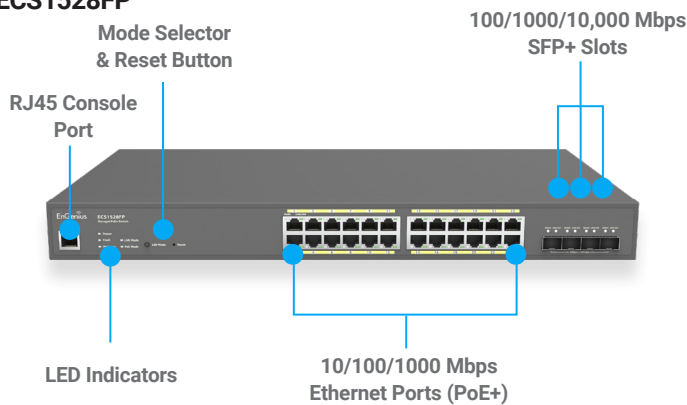
### ECS1528



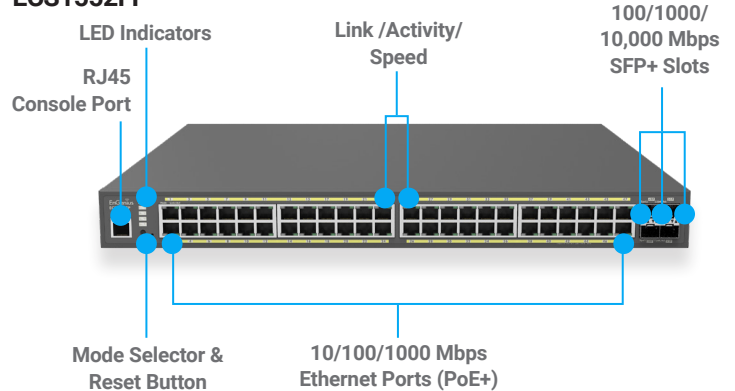
### ECS1552



### ECS1528FP



### ECS1552FP



EnGenius Technologies | 1580 Scenic Ave. Costa Mesa, CA 92626

Email: [partners@engeniustech.com](mailto:partners@engeniustech.com) | Website: [engeniustech.com](http://engeniustech.com)

Version 1.02 11/24/2020

Maximum data rates are based on IEEE 802.11 standards. Actual throughput and range may vary depending on distance between devices or traffic and bandwidth load in the network.

Features and specifications subject to change without notice. Trademarks and registered trademarks are the property of their respective owners. For United States of America: Copyright ©2020 EnGenius Technologies, Inc. All rights reserved.